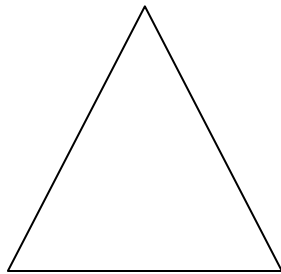


## MEASUREMENT/GEOMETRY SKILL TEST 1: CONCEPT AND SYMBOLS

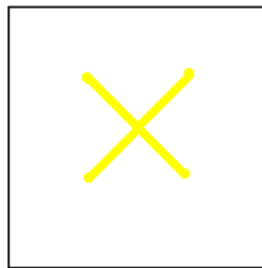
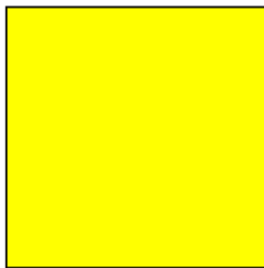
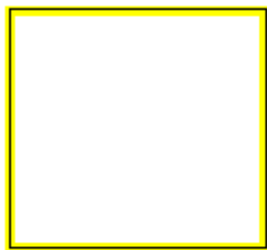
Note to teachers: It may be helpful to use a cover sheet of paper. Pull the cover sheet down far enough to show the model and read the text. Then, pull the sheet of paper down to show the problem and read the directions. Record “+” for an independent correct response or “-“ for incorrect response in blank.

\*\*Note: The following sections use lines and areas highlighted in yellow... If these do not show up sufficiently on your printed version, use a highlighter marker to make them more visible.

\_\_\_ Watch me as I use my marker to draw a line around the perimeter of this shape.

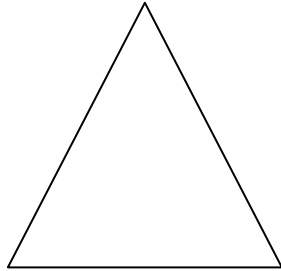


**STUDENT PROBLEM: Which picture has the perimeter highlighted in yellow?**

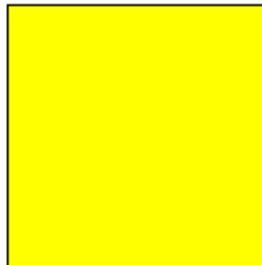
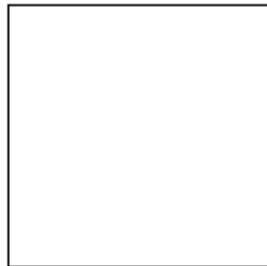
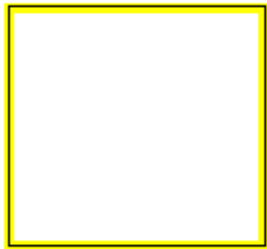


Student Name: \_\_\_\_\_

\_\_\_ Watch me as I use my marker to color in the area.



**STUDENT PROBLEM: Which picture has the area colored in yellow?**



Student Name: \_\_\_\_\_

\_\_\_ The length is the longest side of a rectangle. I will use my marker to draw a line along the length.



**STUDENT PROBLEM:** Which picture has the length in yellow?

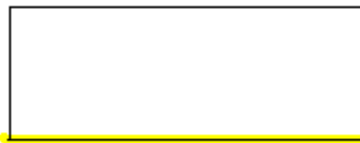


Student Name: \_\_\_\_\_

\_\_\_ The width is the shortest side of a rectangle. I will use my marker to draw a line along the width.

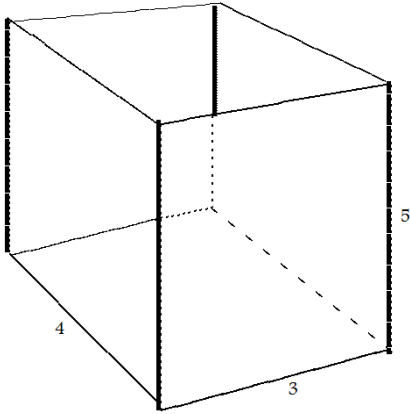


**STUDENT PROBLEM:** Which picture has the width in yellow?

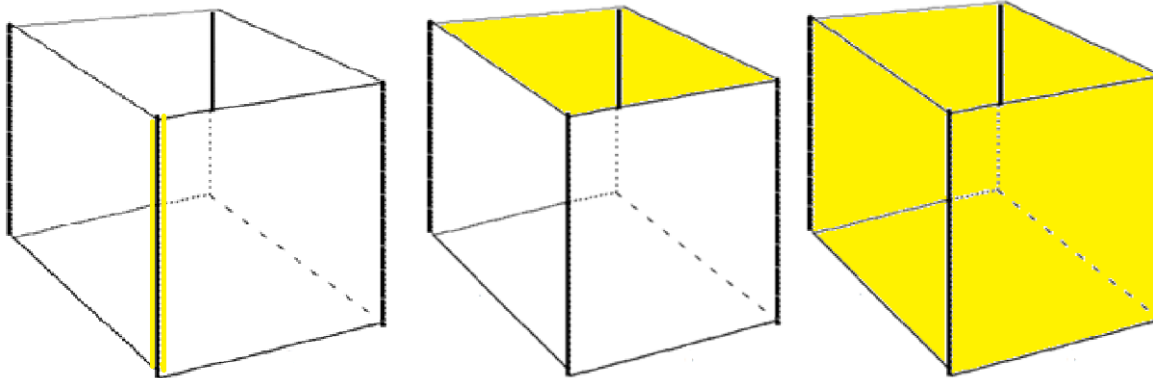


Student Name: \_\_\_\_\_

\_\_\_ The height is the side of a cube/box that goes up and down. I will use my marker to draw a line along the height.

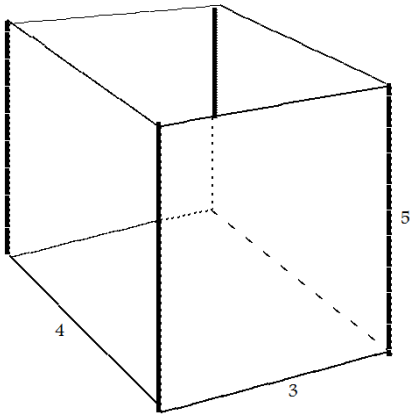


**STUDENT PROBLEM:** Which picture has the height highlighted in yellow?



Student Name: \_\_\_\_\_

\_\_\_ The volume is the space inside the box. I will use my marker to color in the volume.



**STUDENT PROBLEM:** Which picture has the volume highlighted in yellow?

